

Bidet Seat 1-Year Limited Warranty

(For Customers in the United States)

- All warranty service will be provided by our Factory Service Center.
- Warranty covers any part of the bidet seat which fails due to a defect in materials or workmanship.
- During this limited one-year warranty, Infinity Bidet will also provide, free of charge, all labor and related service to replace the defective part.

Product Name		Warranty Period
Model Name		One (1) year since the date purchased
Date Purchased		
SER.No.		
Customer's Address	Name	
	Tel.No.	
Distributor's Address	Name	
	Tel.No.	

What NOVA Bidet will not cover:

- Service trips to your home.
- Improper installation, delivery or maintenance.
- Failure of the product due to abuse, misuse or use for other than the intended purpose.
- Use of the product for commercial purposes.
- Damage caused after delivery.
- Damage to the product caused by accident, fire, floods, or acts of God.
- Incidental or consequential damage caused by possible defects with this product.

EXCLUSION OF IMPLIED WARRANTIES—Your sole and exclusive remedy is product repair as provided in this Limited Warranty. Any implied warranties, including the implied warranties of merchantability or fitness for a particular purpose, are limited to one year or the shortest period allowed by law.

This warranty is extended to the original purchaser and any succeeding owner for products purchased for home use within the USA. If the product is located in an area where service by our Factory Service Center is not available, you may be responsible for a trip charge or you may be required to bring the product to an authorized service facility for service. The warranty excludes the cost of shipping to a service facility.

Mail, email or fax the warranty form to:



71 Ruths Place, Suite #8, Sequim, WA 98382 USA
 Tel : 1-800-681-0753 Fax : 1-800-681-4029
www.NOVABidet.com



User's Guide

This user's guide contains the product warranty certificate.
 Be sure to read this user's guide carefully before use.

120V 60Hz  

www.NOVABidet.com

NOVA-1000



**THIS UNIT WAS MANUFACTURED FOR HOUSEHOLD USE ONLY.
READ ALL OPERATING INSTRUCTIONS BEFORE INSTALLATION.**

Notes

1. This product should be installed according to this manual.
2. Please read this manual carefully and install properly.
3. Please save this manual and place it at an easily accessible place.
4. Do not attempt to service this appliance yourself. Doing so could void warranty.

CONTENTS

1. Safety Instructions	4
2. Product Characteristics	8
3. Designation of Each Component	9
4. Installation	11
5. Trial Operation	13
6. How to Use the Product	14
7. User Settings	18
8. Maintenance & Cleaning	20
9. Before requesting repair	21
10. Product Specifications	22
11. Comparison Chart	23
12. Warranty	24

01. Safety Instruction

IMPORTANT SAFEGUARDS

When using electrical products, especially when children are present, basic safety precautions should always be followed, including the following:

READ ALL INSTRUCTIONS BEFORE USING

INSTALLATION

- 120V 60Hz : Power supply must be at least 15Amp GFC outlet.
- The electrical cord is a minimum of 3ft. long.
- The electrical cord must be connected to a GFCI outlet.
- The GFCI outlet should be 1 ft. above the floor.
- Install only in well-ventilated areas to avoid excess humidity.
- Do not install in narrow toilet stalls or in shower stalls.
- Install only where direct contact with water is minimized.
- Do not install near any heat source.
- Avoid using extension cords if possible. Consult with a certified electrician if extension cords are necessary.

DANGER - To reduce the risk of electrocution:

- 1 Do not use while bathing.
- 2 Do not place or store product where it can fall or be pulled into a tub or sink.
- 3 Do not place in or drop into water or other liquid.
- 4 Do not reach for a product that has fallen into water. Unplug immediately.

WARNING - To reduce the risk of burns, electrocution, fire, or injury to persons.

- 1 Close supervision is necessary when this product is used by, on, or near children or those with limited mobility.
- 2 Use this product only for its intended use as described in this manual. Do not use attachments not recommended by the manufacturer.
- 3 Never operate this product if it has a damaged cord or plug, if it is not working properly, if it has been dropped or damaged, or dropped into water. Return the product to a service center for examination and repair.
- 4 Keep the cord away from heated surfaces.
- 5 Never use while drowsy.
- 6 Never drop or insert any object into any opening or hose.
- 7 Do not use outdoors or operate where aerosol (spray) products are being used or where oxygen is being administered.
- 8 Connect this product to a properly grounded outlet only. See Grounding Instructions.
- 9 When using for the first time, please follow instructions.

SAVE THESE INSTRUCTIONS

01. Safety Instruction

GROUNDING INSTRUCTIONS

This product should be grounded. In the event of an electrical short circuit, grounding reduces the risk of electric shock by providing an escape wire for the electric current.

This product is equipped with a cord having a grounding wire with a grounding plug. The plug must be plugged into an outlet that is properly installed and grounded.

DANGER - Improper use of the grounding plug can result in a risk of electric shock.

When repairing or replacing the cord or plug, do not connect the grounding wire to either flat blade terminal. The wire with insulation, having an outer surface that is green with or without yellow stripes, is the grounding wire. Check with a qualified electrician or serviceman if the grounding instructions are not completely understood, or if in doubt as to whether the product is properly grounded.

Grounded cord-connected products, rated 15 A or more, intended for use on a nominal 120 V supply circuit. This product is for use on a nominal 120 V circuit, and has a grounding plug that looks like the plug illustrated in Figure 1(A). A temporary adapter, which looks like the adapter illustrated in Figure 1(B) and (C), may be used to connect this plug to a 2-pole receptacle as shown in Figure 1(B), if a properly grounded outlet is not available.

The temporary adapter should be used only until a properly grounded outlet, Figure 1(A), can be installed by a qualified electrician. The green tab, nut, or other connector extending from the adapter must be connected to a permanent ground, such as a properly grounded outlet box cover. Whenever the adapter is used, it must be held in place by the screw.

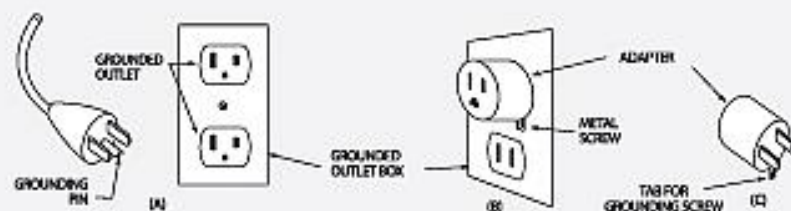


Figure 1.

02. Product Characteristics

● Advanced hybrid heating technology

Advanced hybrid technology increases wash time with lower energy costs.



● Power wash

Power wash feature for added cleaning benefit.



● Aerated Wash

For a faster and more comfortable wash.



● Nozzle Position Control

User can adjust nozzle position to desired setting.



● Pulse

Pulse wash repeatedly cycles from weak to strong to aid in faster and more thorough cleaning.



● Child Settings

Automatically adjusts water pressure, temperature and nozzle positions. Also available with child-size seat dimensions.



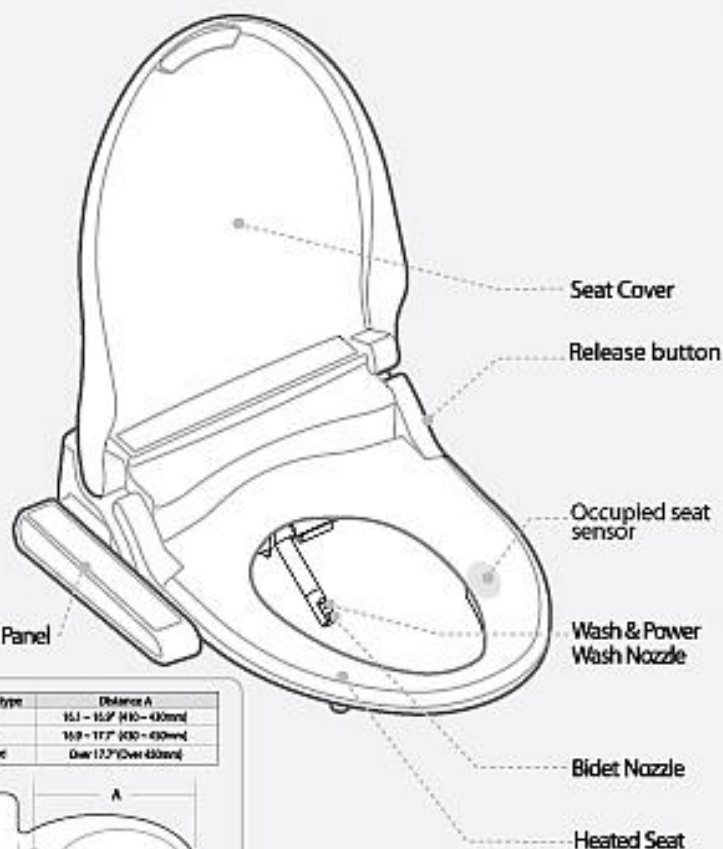
● Energy Saving Modes

Two energy saving modes automatic and manual.



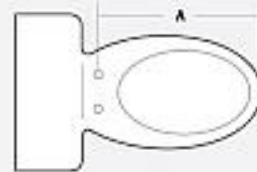
03. Designation of Each Component

Main Body



Operation Panel

Toilet Seat type	Distance A
Small	15.1 - 15.6" (410 - 430mm)
Round	15.9 - 17.7" (430 - 450mm)
elongated	Over 17.7" (Over 450mm)

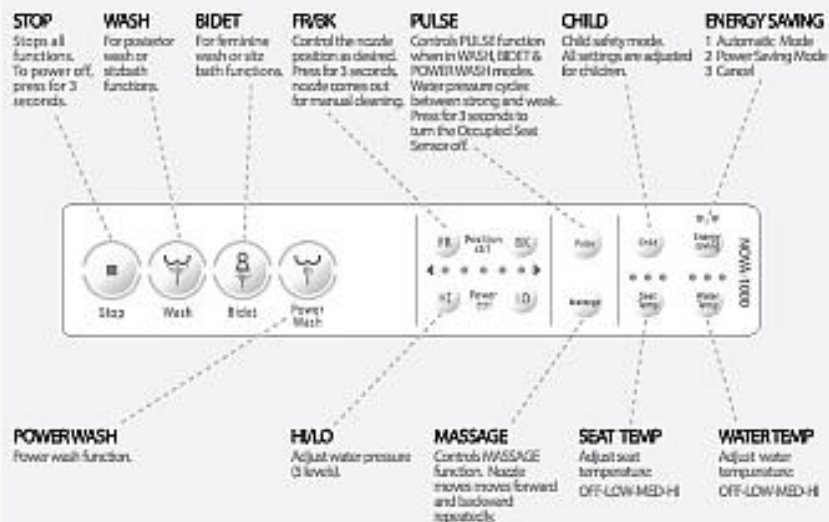


⚠ Occupied seat sensor

- The occupied seat sensor must be activated to operate the unit.
- The unit will work without activation of occupied seat sensor if this function is released intentionally.
- Refer to page No. 18.

03. Designation of Each Component

Operation Panel



Accessories



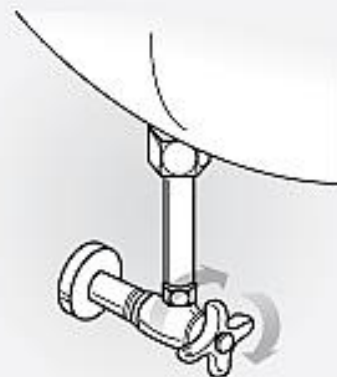
04. Installation

Order of Installation

- 1 Remove the seat from the existing toilet.**
 - ▶ Unscrew the nuts, then remove the seat and lid.
 - ▶ Keep the removed seat, lid and nuts to restore toilet to its original configuration in the future.



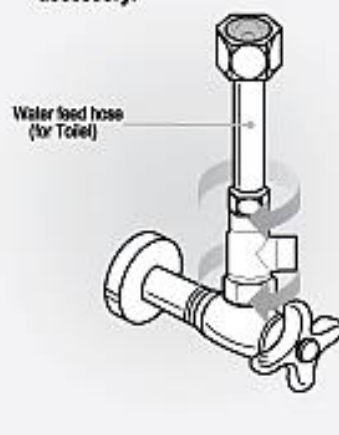
- 2 Close the water feed valve by turning it clockwise, and then drain the toilet water tank.**



- 3 Remove the water feed pipe and then install T-valve.**
 - ▶ Keep the removed water feed pipe to restore toilet to its original configuration in the future.

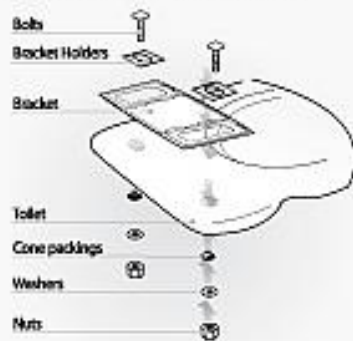


- 4 Reconnect water feed using the provided (Toilet) water feed hose accessory.**



04. Installation

5 Fix the bracket onto the toilet first.



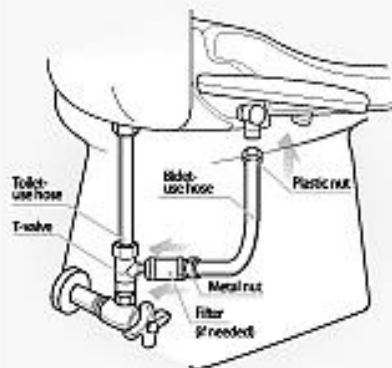
▶ Adjust the seat and the front part of toilet back and forth so that they can correspond with before fastening the nuts.

6 Push the main body toward the bracket completely.



▶ Push it in until you hear it 'click'.
▶ If the product is not installed properly, it may leak.

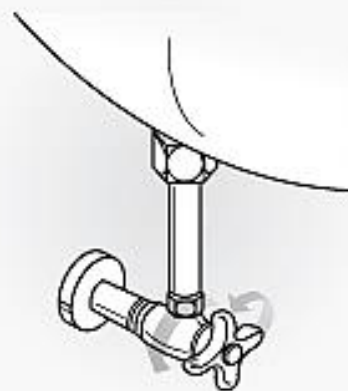
7 After installing the filter onto the T-valve, connect the bidet-use hose to the bidet body.



05. Trial Operation

Order of Trial Operation

1 Open the water feed valve by turning it counter-clockwise.



2 Make sure there is no water leaking around the hose connection.



3 Make sure the nozzle comes out and retracts when powered on.

▶ Don't plug the power cord with wet hands.
Risk of electric shock.



4 When the unit is powered on, the water tank will begin to fill immediately. The unit will beep until the water tank is completely filled.

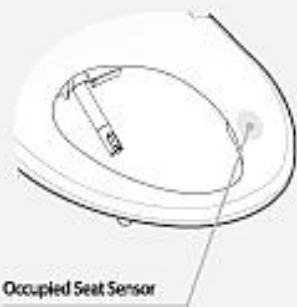


06. How to Use the Product

Basic Operation Method

1 Sit on the toilet seat.

- ▶ Be sure to sit on the seat sensor. If the sensor is not occupied, functions will not work.



2 Press WASH, BIDET, Power Wash buttons.

- ▶ Selected function can be used as desired.
- ▶ Sitz bath is possible in the WASH and BIDET modes. Press WASH or BIDET button twice for Sitz bath.
 - WASH + WASH = WASH SITZ BATH
 - BIDET + BIDET = BIDET SITZ BATH



5 PULSE Wash

- ▶ When pressing PULSE button during the operation of WASH, BIDET and Power wash, water pressure will repeat HIGH/LOW level for smooth pulsating wash.
- ▶ The Occupied Seat Sensor release feature is activated by pressing this button for 3 seconds.

Pulse

6 Water Pressure Control

- ▶ Pressing HIGH/LOW button enables the control of water pressure.
- ▶ When any foreign material blocks the water filter, it may cause the low water pressure. Regularly check the water and screen filter.

HI Power ctrl LO

3 Press the STOP button.

- ▶ Any operation will stop.
- ▶ Press STOP for 3 seconds to turn off the unit while not seated.



4 MASSAGE Wash

- ▶ When pressing the MASSAGE button, the nozzle location will move back and forth to wash a wider area.

Massage

7 Nozzle Position Control

- ▶ Nozzle position can be controlled by pressing FR/BK.

FR Position ctrl BK

06. How to Use the Product

Basic Operation Method

8 CHILD Function

- ▶ All settings are adjusted for child.
- ▶ Nozzle moves forward more than adult wash.
- ▶ Water pressure is weaker than adult wash.
- ▶ Seat temperature is set at lower than adult setting.

Child

9 Seat Temperature Control

- ▶ When pressing the SEAT TEMP CONTROL button, the temperature of seat can be controlled within the range of room temperature, OFF-LOW-MID-HI

Seat Temp

10 WATER TEMP CONTROL

- ▶ When pressing the WATER TEMP CONTROL button, the temperature of water can be controlled within the range of room temperature, OFF-LOW-MID-HI

Water Temp

11 ENERGY SAVING Function

- ▶ Automatic Energy Saving Function
When pressing the button once, it enters into automatic energy saving mode (Yellow LED lamp lights on).
When sitting on the seat to use bidet, it turns to the pre-designated temperature. When getting out of the seat, it returns to the automatic energy saving mode.
- ▶ Power Energy Saving Function
When pressing the button twice, it enters into the Power Energy Saving mode (Green LED lights on).
Seat will not be heated at all for maximizing energy saving effect.
When sitting on the seat to use the product, it turns to the pre-designated temperature. As soon as leaving the seat, it returns to power energy saving mode.
- ▶ The energy saving mode will be turned off when the button is pressed three times.

12 Nozzle Cleaning

- ▶ While not sitting on the seat, and pressing the FR button three seconds, the nozzle will move forward at its maximum distance so that the user can clean it easily (It will return after 2 minutes).
- ▶ When pressing STOP button, the nozzle will return and operate self-cleaning operation.

Longer than
3 seconds

FR



Consult your doctor before using Power Wash function in situations of anal disease/surgery.

Do not throw away

We are committed to protect the environment. Please help us by disposing of this product in a responsible way when it reaches the end of its service life, to prevent certain substances contained in electric and electronic products from harming public health or the environment. The symbol means that the products may not be thrown away with other household waste: at the end of its service life, it may be taken at no charge to you to the waste-collection centers provided for the purpose by the authorities in your country.



07. User Settings

● : Seat Switch 'Off' Status ○ : Seat Switch 'On' Status

No	Function	Seat Status	Switch Operation	Description	Initial Status
1	Operating Signal Cancel	●	Press MESSAGE for 3 sec.	Use when turning off the operating signal	Operating Signal is turned on
2	Turning off	●	Press STOP button for 3 sec.	Press one of STOP, WASH, BIDET and POWER WASH to turn on the unit.	
3	Manual nozzle clearing	●	Press FR button for 3 sec.	To clean the nozzle manually.	
4	Turning off Occupied Seat Sensor	●	Press PULSE button for 3 sec.	To turn off the seat sensor.	○

* The unit will work without activation of the Occupied Seat Sensor, if sensor has been turned off.

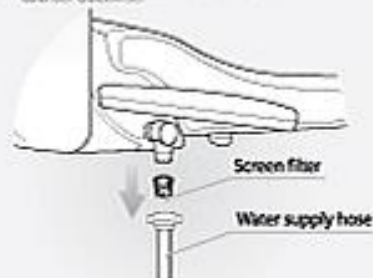
* Some functions, that must be set while not seated, are not available unless the Occupied Seat Sensor is turned off.



08. Maintenance & Cleaning

Cleaning of Water pipe filter

- 1 Close the water feed valve by turning it clockwise.
- 2 Disconnect the water supply hose. Take the screen filter out and clean it with soft brush (e.g. toothbrush).
- 3 Return screen after cleaning and reconnect the water supply hose.
- 4 Open the water feed valve by turning it counter-clockwise.



Cleaning of Nozzle

- 1 Press FR button for 3 seconds while not seated. The nozzle will move forward and stop for 2 minutes.
- 2 Clean the nozzle with a unused toothbrush, etc., and press the STOP button, then it will return to the original place for self cleaning.



Cleaning of Bidet Body

- 1 Exterior surface of bidet is made of a plastic material, which may be damaged by stiff spongers, chemicals, etc.
- 2 Wipe the surface with a soft, damp cloth which has been wrung out completely. Do not spray water directly onto the surface of the bidet.
- 3 Clean the body only after removing the power plug from the outlet. Be sure no water splashes the power plug or outlet.
- 4 Don't touch the power outlet with a wet hand. This creates a risk of electric shock.



Drainage of Hot Water Tank

- 1 Remove the power plug from the outlet.
- 2 Close the water feed valve by turning it clockwise.
- 3 Press the release button on the side of main body. To prevent freezing, drain the water if unit is not used for extended period in winter.



09. Before requesting repair

※ Please check the following points before requesting the repair of the product.

Signs to occur	Matters to be checked
Completely out of operation	<ul style="list-style-type: none"> • Check if the power plug is not connected. • Check the power failure.
Water does not spray out	<ul style="list-style-type: none"> • Check if the water supply is suspended. • Check if water feed valve is locked • Check if nozzle is blocked by foreign material • Check if connection hose is bent
Water pressure is low	<ul style="list-style-type: none"> • Check if water pipe filter is blocked by foreign material. • Check if the water pressure is set at too low level
Water is not warm enough	<ul style="list-style-type: none"> • Check if its temperature is set at 'Off' or 'Low'.
Seat is not warm enough	<ul style="list-style-type: none"> • Check if its temperature is set at 'Off' or 'Low'

Self-Diagnosis Table

※ When any abnormal phenomenon occurs, please refer to the following table, and inform the exact status at the time of requesting A/S service.

#	Self-Diagnosis Phenomenon	Way of Indication
1	Water temp sensor is disconnected or not inserted	LED of water temp. Yellow + Green blinking
2	Water temp sensor is short-circuited or over-heated	LED of water temp. Red + Yellow blinking
3	Seat temp sensor is disconnected or not inserted	LED of seat temp. Green blinking
4	Seat temp sensor is short-circuited or over-heated	LED of seat temp. Red blinking

10. Product Specifications

Item		NOVA-1000		
Rated Voltage		AC 120V, 60Hz		
Max. Consumption Power		1270W		
Power Cord Length		1.5m		
Water Feed Method		Direct connection		
Water Pressure		0.7~7.5kgf / cm ²		
Wash	Feeding Volume	Wash	0.8 ℓ/min	
		Bidet	0.7 ℓ/min	
		Power Wash	0.5 ℓ/min	
	Water Pressure Control	5 levels		
	Temp. Control	4 levels (Off, Low, Mid, Hi)		
	Heater Capa.	1200W		
	Safety Device	Thermal fuse, Thermal switch, Bi-metal		
Heated Seat	Temp. Control	4 levels (Off, Low, Mid, Hi)		
	Heater Capa.	55W		
	Safety Device	Thermal fuse		
Product Dimension # Inch(mm)	Elongated	18.5"(470) X 20.8"(528) X 5.7"(145)		
	Round	18.5"(470) X 19.5"(496) X 5.7"(145)		
	Small	18.5"(470) X 18.5"(470) X 5.7"(145)		
Product Weight (Gross weight) # lb(kg)	Elongated	10.6(4.8) / 17.3(7.8)	10.4(4.7) / 16.9(7.7)	9.9(4.5) / 16.5(7.5)
	Round	10.5(4.7) / 17.1(7.6)	10.3(4.6) / 16.7(7.5)	9.8(4.4) / 16.3(7.3)
	Small	10.4(4.6) / 16.9(7.4)	10.2(4.5) / 16.5(7.3)	9.7(4.3) / 16.1(7.1)

11. Comparison Chart

	Function	NOVA-1000
Wash Function	Wash	●
	Bidet	●
	Power Wash	●
	Aerated Wash	●
Convenient/Comfort Function	Automatic Energy Saving	●
	Power Energy Saving	●
	Massage	●
	Pulse	●
	Advanced Hybrid Heating	●
	Warm Seat	●
	Soft Closing Lid & Seat	●
	Detachable Main Body	●
	Child	●

Dimension diagrams

inch (mm)

